



Grand Manufacturing LLC
www.grandmfgllc.com

Project Name: _____

SIA #

Location: _____

Item #: _____ Qty: _____

AIA #

Model #: _____

Model:
GUR-36-D4

Grand Undercounter Series

36" 4 door undercounter refrigerator - Drawer



Features & Benefits

System

- Digital temperature control & monitor
- Hot gas condensate system
- Automatic evaporation & defrost system

Strong & Durable Cabinet Finish

- Stainless steel finished top, front, sides and doors
- Galvanized steel finished back and bottom

Components

- Accommodates 6" deep pans (pans are optional)
- 5" Heavy-duty casters with brakes standard

Heavy Duty Drawer

- Stainless steel made telescoping drawer slide with roller bearing wheels
- Stainless steel made drawers hold up to 88 pounds (40kg)

Temperature

- Enhanced Airflow Holds Product Temperature 32°F~41°F (0°C~5°C)

Options

- Drawer Mixed Model Available
- Free Hcfc & Hfc Refrigerant Model (R-290)

Drawers	Shelves	HP	AMPS	Cabinet Dimensions (inches)			Crated Weight (lbs.)
				W	D	H*	
4	0	1/5	3.2	36 3/8	30	35 7/8	229

* Exterior height include 5" for castor height.

GRAND has the right to change specifications without further notice.



Approvals:

Available At:

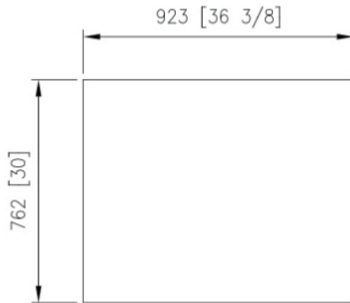
Model:
GUR-36-D4

Grand Undercounter Series

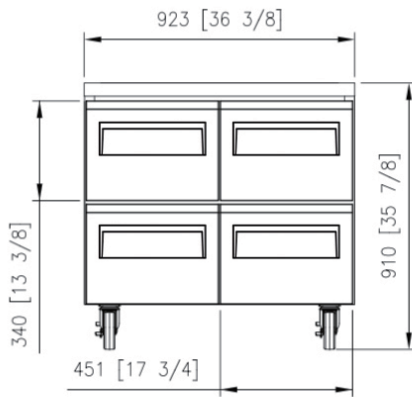
36" 4 door undercounter refrigerator - Drawer

Plan View

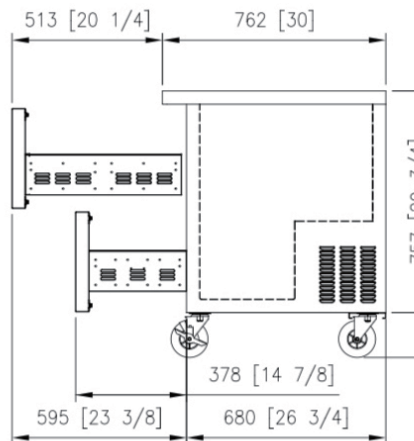
Top View



Front View




Side View



Spec

Electrical Data

Voltage	115/60/1
Plug Type	 NEMA 5-15P
Full load Amperes	3.2
Compressor HP	1/5
Refrigerant	R-290

Dimensional Data

Capacity (cu. ft.)	8.92
Net Weight (lbs.)	218

Warranty

- 4 year parts and labor warranty.
- Additional 1 year warranty on compressor.

Slight Variations May Exist

Grand[®]

Grand Manufacturing LLC
www.grandmfgllc.com

