



Grand Manufacturing LLC  
www.grandmfgllc.net

Project Name: \_\_\_\_\_

SIA #

Location: \_\_\_\_\_

Item #: \_\_\_\_\_ Qty: \_\_\_\_\_

AIA #

Model #: \_\_\_\_\_

Model:  
**GMU-72(30)-D4LM**

## Grand Food Prep Table Series

72" 4 door megatop table - Drawer



## Features & Benefits

### System

- Digital temperature control & monitor
- Hot gas condensate system
- Automatic evaporation & defrost system
- 70-degree-open and insulated stainless steel covers eliminate heat transfer and protect products when closed
- Locking the dispenser bar locks the pan in place to prevent product spills

### Components

- Accommodate 6" deep pans (pans are optional)
- Compact size (344mm) and reversible cutting board is easily removed for cleaning or additional use
- PVC coated sturdy wire shelves
- 4" heavy duty casters with brakes standard

### User Friendly Door

- Auto-closing doors
- Sturdy and easy-grip handles and doors that open effortlessly
- Magnetic door gasket provides an easy-to-remove feature for cleaning or replacement feature

### Temperature

- Enhanced Airflow Holds Product Temperature 32°F~41°F (0°C~5°C)

### Options

- Drawer mixed model available
- Leg models available

### Strong & Durable Cabinet Finish

- Stainless steel finished top, front, sides and doors
- Galvanized steel finished back and bottom

Drawers	Pans	HP	AMPS	Cabinet Dimensions (inches)			Crated Weight (lbs.)
				W	D	H	
4	30	3/8	6.1	72 3/8	35 1/4	44 1/8	441

\* Exterior height include 5" for castor height.

GRAND has the right to change specifications without further notice.



Approvals:

Available At:

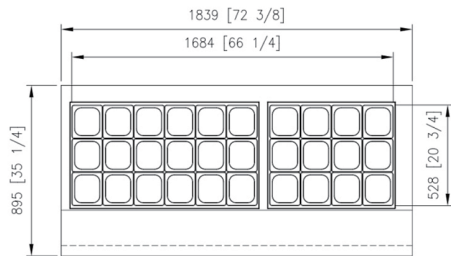
Model:  
**GMU-72(30)-D4LM**

# Grand Food Prep Table Series

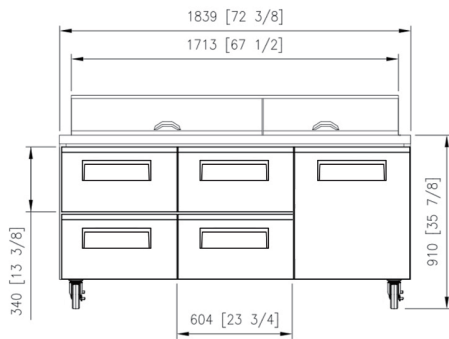
72" 4 door megatop table - Drawer

## Plan View

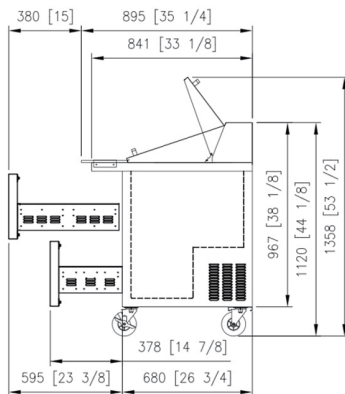
Top View




Front View



Side View



## Spec

Electrical Data	
Voltage	115/60/1
Plug Type	 NEMA 5-15P
Full load Amperes	6.1
Compressor HP	3/8
Refrigerant	R-290

Dimensional Data	
Capacity (cu. ft.)	18.75
Net Weight (lbs.)	412

### Warranty

- 4 year parts and labor warranty.
- Additional 1 year warranty on compressor.

### Optional Accessories

- Additional PE coated wire shelf

### Slight Variations May Exist

**Grand**<sup>®</sup>

Grand Manufacturing LLC  
www.grandmfgllc.net

