

Pizza Prep Table – Door



GPZ-44-HC



GPZ-67-HC



GPZ-93-HC

Features & Benefits

System

- Digital temperature control & monitor
- Hot gas condensate system
- Automatic evaporation & defrost system
- 70-degree-open and insulated stainless steel covers eliminate heat transfer and protect products when closed
- Locking the dispenser bar locks the pan in place to prevent product spills

Temperature

- Enhanced Airflow Holds Product Temperature 32°F~41°F (0°C~5°C)

Options

- Drawer mixed model available
- Leg models available

Strong & Durable Cabinet Finish

- Stainless steel finished top, front, sides and doors
- Galvanized steel finished back and bottom

User Friendly Door

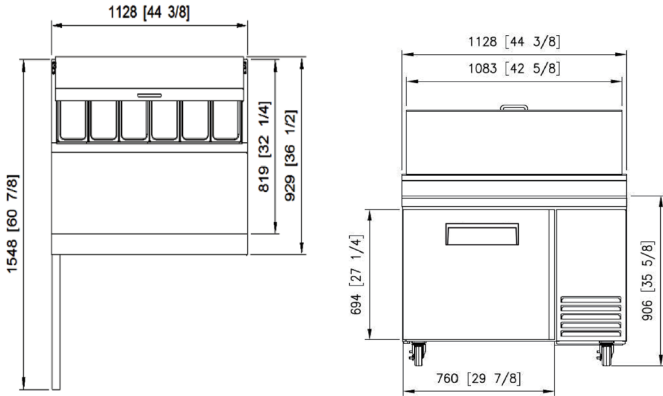
- Auto-closing doors
- Sturdy and easy-grip handles and doors that open effortlessly
- Magnetic door gasket provides an easy-to-remove feature for cleaning or replacement feature

Components

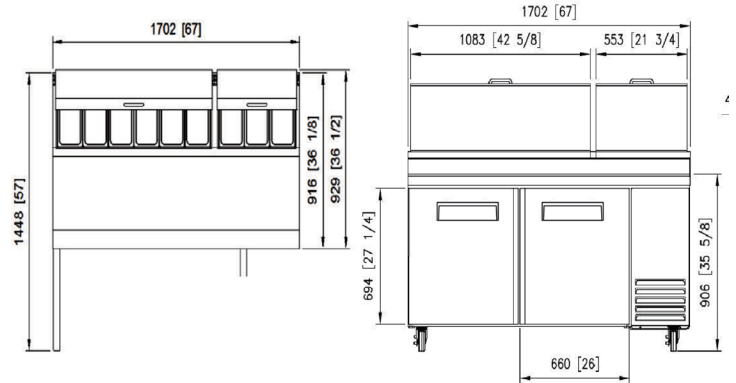
- Accommodate 6" deep pans (pans are optional)
- Compact size (344mm) and reversible cutting board is easily removed for cleaning or additional use
- PVC coated sturdy wire shelves
- 4" heavy duty casters with brakes standard

Plan View

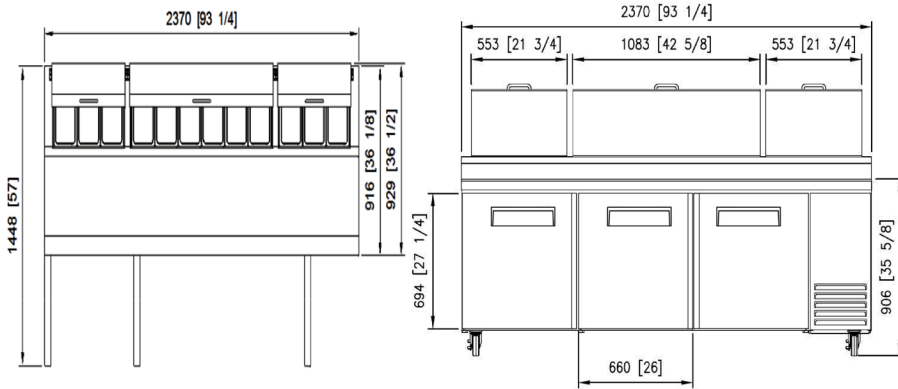
GPZ-44-HC



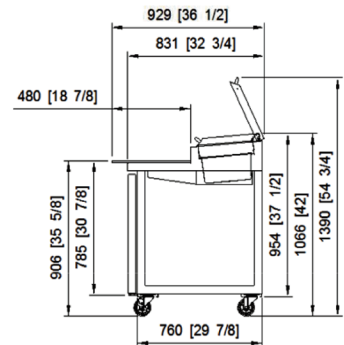
GPZ-67-HC



GPZ-93-HC



ALL SIDE



Specifications

Model	Capacity (cu.ft/ ℓ)	Exterior Dimension (Inch/mm)			Net Weight (lb/kg)	Gross Weight (lb/kg)	Amps	Voltage (V/Hz/Ø)	HP	Refrigerant	No. Shelves	No. Doors	No. Pans (1/3")
		W	D	H									
GPZ-44-HC	11.3	44 3/8	36 1/2	42	287	304	6.5	115/60/1	3/8	R-290	2	1	6
	320	1,128	929	1,066	130	138	3.2	220/50,60/1					
GPZ-67-HC	20.2	67	36 1/2	42	368	397	6.5	115/60/1	3/8	R-290	4	2	9
	572	1,702	929	1,066	167	180	3.2	220/50,60/1					
GPZ-93-HC	30.8	93 1/4	36 1/2	42	452	492	7.5	115/60/1	1/2	R-290	6	3	12
	872	2,370	929	1,066	205	223	3.8	220/50,60/1					

* External dimensions include 4" caster height **pans not included

GRAND has the right to change specifications without further notice.



Grand Manufacturing LLC
www.grandmfgllc.com

