



Grand Manufacturing LLC
www.grandmfgllc.com

Project Name: _____

SIA #

Location: _____

Item #: _____ Qty: _____

AIA #

Model #: _____

Model:
GPZ93-HC

Grand Pizza Prep Table Series

93" 3 door pizza prep table



Features & Benefits

Cabinet Construction

- Stainless steel interior and exterior; quality stainless steel helps to minimize dents, scratches, and rust.
- Entire cabinet structure and solid door are foamed-in-place using a high density, polyurethane insulation that has zero ozone depletion potential (ODP) and zero global warming potential (GWP).
- Drop-in section: cold air is circulated into this enclosed area keeping stored food fresh and consistently cold
- A stainless-steel partition prevents food spillage into the storage area beneath
- Accommodates 6" deep pans (4" pans are standard)
- Sturdy, epoxy coated wire shelves with adjustable shelving height
- Insulated top lid
- Top Stainless-steel frame of top food zone and for pan partition

Refrigeration

- Hydrocarbon refrigerants (R-290): Innovative eco-friendly technology, R290 hydrocarbon refrigerant has zero (0) ozone depletion potential (ODP), & three (3) global warming potential (GWP).
- Anti-corrosion epoxy coated evaporator helps eliminate the potential corrosion.
- Automatic defrost and fabric condensate evaporation system
- Refrigerator holds 32°F ~ 39°F for the best in food preservation

Doors

- Self-closing doors
- Durable door gasket with easy replacement
- Heavy-duty insulation

Standard

- NSF/ANSI Standard 7

Doors	Shelves	HP	AMPS	Cabinet Dimensions (inches)			Crated Weight (lbs.)
				W	D	H	
3	6	3/8	3.5	93 1/4	32 3/4	37 1/2	492

*Depth does not include 1" for rear bumpers. ** Height does not include 4 1/2" for casters.

*** GRAND has the right to change specifications without further notice.



Approvals:

Available At:

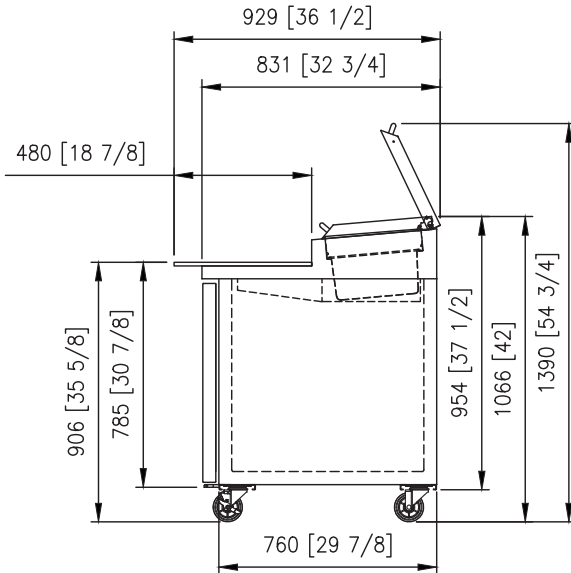
Model:
GPZ93-HC

Grand Pizza Prep Table Series

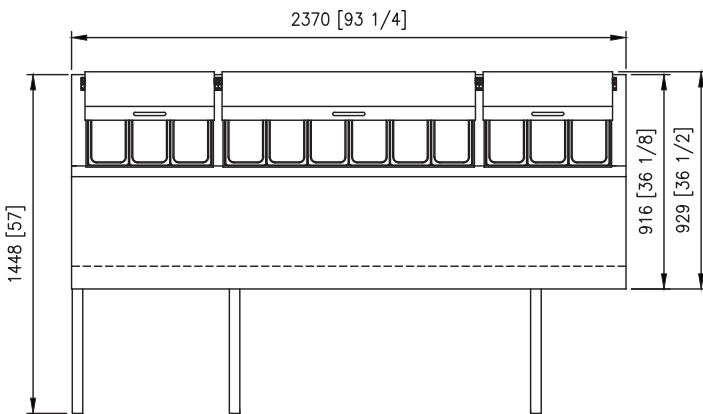
93" 3 door pizza prep table

Plan View

Side View



Top View



Spec

Electrical Data	
Voltage	115/60/1
Plug Type	NEMA 5-15P
Full load Amperes	3.5
Compressor HP	3/8
Refrigerant	R-290

Dimensional Data	
Capacity (cu. ft.)	30.8
Net Weight (lbs.)	452
Shelf Size (L x D) (in.)	25.32 x 23.82 (Left/Right)
	25.32 x 25.98 (Middle)

■ Warranty

- 4 year parts and labor warranty.
- Additional 1 year warranty on compressor.

■ Optional Accessories

- Additional PE coated wire shelf (sides)
- Additional PE coated wire shelf (middle)

■ Slight Variations May Exist

Grand[®]

Grand Manufacturing LLC
www.grandmfgllc.com

