



Grand Manufacturing LLC  
www.grandmfgllc.com

Project Name: \_\_\_\_\_

SIA #

Location: \_\_\_\_\_

Item #: \_\_\_\_\_ Qty: \_\_\_\_\_

AIA #

Model #: \_\_\_\_\_

Model:  
**GNB-60BG-HC**

**Grand Under Bar Series**  
60" 2 door narrow back bar - Glass Door



## Features & Benefits

### System

- Digital temperature control & monitor
- Hot gas condensate system
- Automatic evaporation & defrost system

### Strong & Durable Cabinet Finish

- Black coated steel finished cabinet for exterior
- Heavy-duty stainless steel finished top
- Stainless or galvanized interior available

### Components

- Energy-saving LED lighting interior lights with switch can provide a bright and clear interior for excellent visibility

### User Friendly Feature

- Door locks standard
- Sturdy and easy-grip handles and doors that open effortlessly
- Magnetic door gasket provides an easy-to-remove feature for cleaning or replacement feature
- Modern shaped glass door for the more excellent product display
- Efficient and economical size for tight workspace

### Temperature

- Enhanced Airflow Holds Product Temperature 32°F~41°F (0°C~5°C)

### Options

- Standard magnificent black laminated exterior and galvanized steel interior
- Clean and simple looking stainless exterior interior
- 3", 4", or 5" diameter castors available
- Free HCFC & HFC refrigerant model (R-290)

Doors	Shelves	HP	AMPS	Cabinet Dimensions (inches)			Crated Weight (lbs.)
				W	D	H	
2	4	3/8	6.3	60 1/4	23 7/8	35 3/8	245

\* External dimensions do not include caster \*\* GRAND has the right to change specifications without further notice.



natural  
refrigerant

Approvals:

Available At:

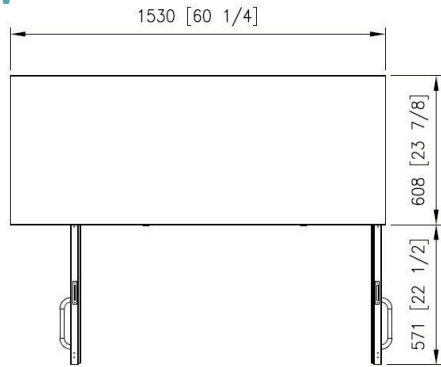
Model:  
**GNB-60BG-HC**

# Grand Under Bar Series

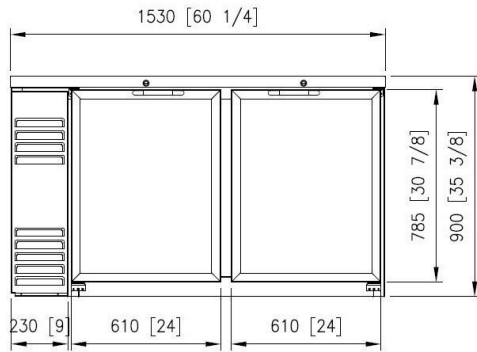
60" 2 door narrow back bar - Glass Door

## Plan View

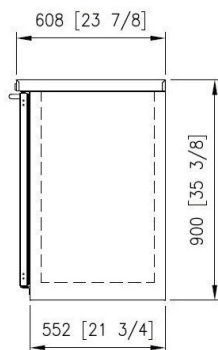
### Top View



### Front View




### Side View



## Spec

### Electrical Data

Voltage	115/60/1
Plug Type	 NEMA 5-15P
Full load Amperes	6.3
Compressor HP	3/8
Refrigerant	R-290

### Dimensional Data

Capacity (cu. ft.)	15.6
Net Weight (lbs.)	225

### Warranty

- 4 year parts and labor warranty.
- Additional 1 year warranty on compressor.

### Slight Variations May Exist

**Grand**<sup>®</sup>

Grand Manufacturing LLC  
www.grandmfgllc.com



natural  
refrigerant