



Grand Manufacturing LLC
www.grandmfgllc.com

Project Name: _____

SIA #

Location: _____

Item #: _____ Qty: _____

AIA #

Model #: _____

Model:
GBD-90B-HC

Grand Under Bar Series

90" 3 door direct draw beer dispenser



Features & Benefits

Strong & Durable Cabinet Finish

- Heavy duty stainless steel finished top
- Stainless or galvanized interior available

High Density Polyurethane Insulation

- Foamed in place high density polyurethane insulation used throughout the cabinet

User Friendly Door

- Magnetic door gasket provides easy to remove for cleaning or replacement
- Sturdy and easy grip handles and doors that open effortlessly
- Door locks standard

Insulated Dispensing Towers

- 3" diameter stainless steel insulated beer tower (*Towers are optional)

User Friendly Features

- Cabinet design to accommodate for all types of beer kegs
- Automatic evaporation & defrost system

4" Heavy Duty Casters with Brakes for 1 Door Unit (Options for Other Models)

- Available with 3 or 4 or 5" diameter castors

LED Lighting Interior Display System

- Bright and clear interior LED for excellent visibility

Temperature

- Enhanced Airflow Hold Product Temperature 38°F~44°F (3°C~7°C)

Model Options

- M1: Magnificent black laminated exterior and galvanized steel interior (Standard)
- M2: Clean and simple looking stainless exterior and interior
- M3: Glass door model available

Doors	Towers	HP	AMPS	Cabinet Dimensions (inches)			Crated Weight (lbs.)
				W	D	H	
3	2	3/8	6.3	90 3/8	27 1/8	37	331

* External dimensions do not include caster and tower height - Casters are optional and towers are not provided

** GRAND has the right to change specifications without further notice.



Approvals:

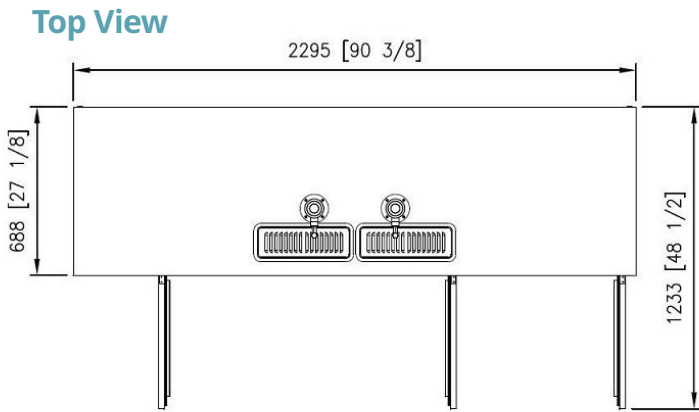
Available At:

Model:
GBD-90B-HC

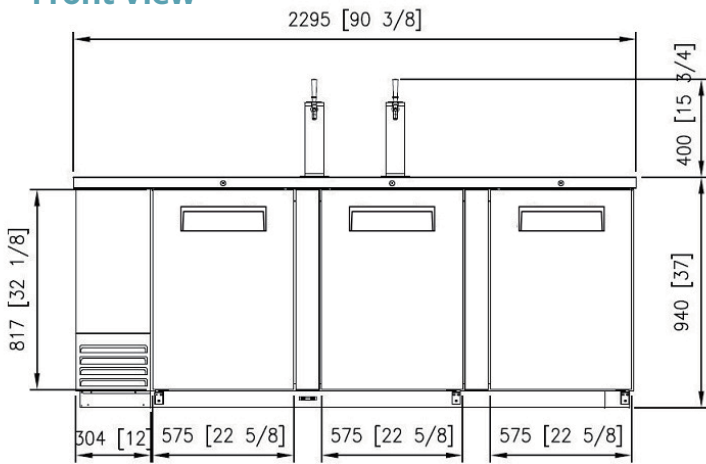
Grand Under Bar Series

90" 3 door direct draw beer dispenser

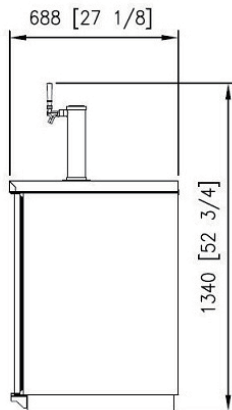
Plan View



Front View



Side View



Spec

Electrical Data	
Voltage	115/60/1
Plug Type	NEMA 5-15P
Full load Amperes	6.3
Compressor HP	3/8
Refrigerant	R-290

Dimensional Data	
Capacity (cu. ft.)	31.6
Net Weight (lbs.)	298

■ Warranty

- 4 year parts and labor warranty.
- Additional 1 year warranty on compressor.

■ Slight Variations May Exist

Grand[®]

Grand Manufacturing LLC
www.grandmfgllc.com

