



Grand Manufacturing LLC
www.grandmfgllc.com

Project Name: _____

SIA #

Location: _____

Item #: _____ Qty: _____

AIA #

Model #: _____

Model:
GBC-80B-HC

Grand Under Bar Series
80" 3 door bottle cooler



Features & Benefits

Strong & Durable Cabinet Finish

- Black coated steel finished cabinet for exterior
- One-piece stainless sliding lids
- Stainless or galvanized interior available
- PE coated adjustable dividers

High Density Polyurethane Insulation

- Foamed in place high density polyurethane insulation used throughout the cabinet

Temperature

- Enhanced Airflow Hold Product Temperature 38°F~44°F (3°C~7°C)

User Friendly Door

- Durable, removable bottle cap opener and catcher help quick opening beverages
- Automatic evaporation & defrost system
- Sturdy and easy grip handles and Doors that open effortlessly
- Available with 3 or 4 or 5" diameter castors (Option for all models)
- Accommodate Door Locks

Model Options

- M1: Magnificent black laminated exterior and galvanized steel interior (Standard)
- M2: Clean and simple looking stainless exterior and interior

Doors	Dividers	HP	AMPS	Cabinet Dimensions (inches)			Crated Weight (lbs.)
				W	D	H	
3	4	3/8	6.3	80 1/2	28 1/2	33 3/8	298

* External dimensions do not include caster height - Casters are optional.

** GRAND has the right to change specifications without further notice.



Approvals:

Available At:

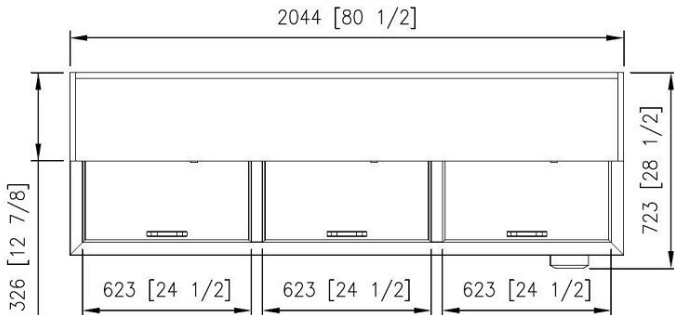
Model:
GBC-80B-HC

Grand Under Bar Series

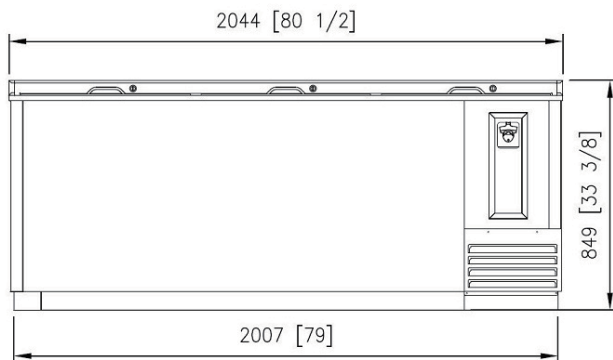
80" 3 door bottle cooler

Plan View

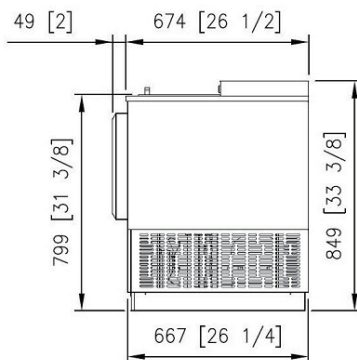
Top View




Front View



Side View



Spec

Electrical Data	
Voltage	115/60/1
Plug Type	 NEMA 5-15P
Full load Amperes	6.3
Compressor HP	3/8
Refrigerant	R-290

Dimensional Data	
Capacity (cu. ft.)	26
Net Weight (lbs.)	273

■ Warranty

- 4 year parts and labor warranty.
- Additional 1 year warranty on compressor.

■ Slight Variations May Exist

Grand[®]

Grand Manufacturing LLC
www.grandmfgllc.com

