

Grand Ice Hotel Ice Dispenser

Functional Aspect

- **No-Touch Ice Convenience:** Our 304 Luxury stainless steel ice dispenser offers a no-touch operation for utmost convenience and hygiene.
- **Effortless Operation and Maintenance:** This dispenser is designed to be user-friendly, making it easy to operate and maintain.
- **Rapid Ice Dispensing:** It efficiently dispenses ice, ensuring you get what you need quickly and easily.
- **Versatile with Adjustable Feet:** Its adjustable feet allow for adaptability in various settings, ensuring stability and functionality.

- **Eco-Friendly Refrigeration:** We prioritize environmental responsibility with the use of eco-friendly refrigerant R404A.
- **Long-Term Performance:** Count on consistent, reliable performance over the long term, thanks to our high-quality design.
- **Ample Ice Storage:** With its large storage capacity, you'll never run out of ice, making it suitable for a wide range of applications.



GI-HD130



GI-HD350



GI-HD420

MODL: GI-HD130 (BIN ONLY)

Exterior Dimension (L x W x H / Inch)	Bin Capacity (lbs)	V/Hz	Power (W)	Net Weight of Ice Bin (lbs)	Gross Weight of Ice Bin (kg)	Packing Dimension of Ice Bin (L x W x H / Inch)	Loading Qty (20GP/40GP)
22x33.7x53.35	130	110/60	210	170	183	25.39 x 36.14 x 49.2	21/ 86pcs

MODL: GI-HD350

Exterior Dimension (L x W x H / Inch)	Output (lbs/24hrs)	Bin Capacity (lbs)	V/Hz	Power (W)	Condenser Unit	Refrigerant
22x33.7x75.71	350	130	110/60	790	Air	R404A
Dimension of Main Machine (L x W x H / Inch)	Packing Dimensionmm of Main Machine (L x W x H / Inch)	Net Weight of Main Machine (lbs)	Gross Weight of Main Machine (lbs)	Loading Qty (20GP/40GP)		
22x24.33x22.36	25.79x29.53x24.41	110	119	24/ 65pcs		

MODL: GI-HD420

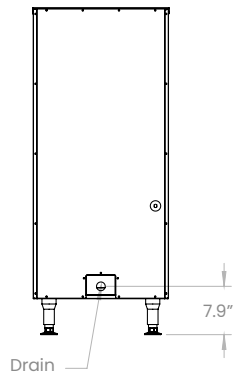
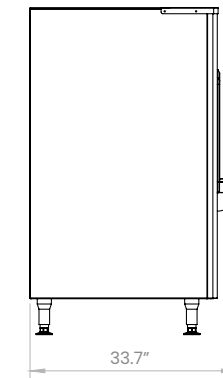
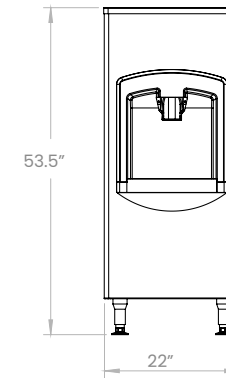
Exterior Dimension (L x W x H / Inch)	Output (lbs/24hrs)	Bin Capacity (lbs)	V/Hz	Power (W)	Condenser Unit	Refrigerant
22x33.7x75.71	420	130	110/60	919	Air	R404A
Dimension of Main Machine (L x W x H / Inch)	Packing Dimensionmm of Main Machine (L x W x H / Inch)	Net Weight of Main Machine (lbs)	Gross Weight of Main Machine (lbs)	Loading Qty (20GP/40GP)		
22 x 24.33 x 22.36	25.79 x 29.53 x 24.41	114	123	24/ 65pcs		

GRAND has the right to change specifications without further notice.

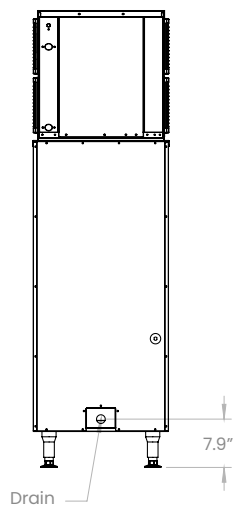
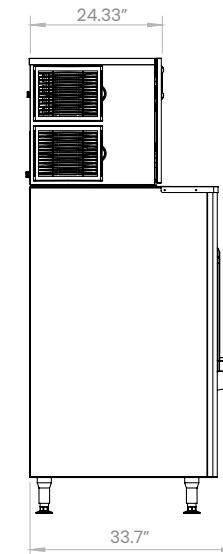
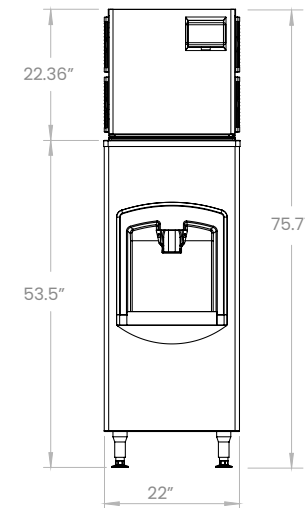
Notice: No more than 7.87inch for the drain (Unit:Inch)

Size Specifications Chart

• GI-HD130



• GI-HD350



• GI-HD420

